

The logo consists of the word "FEATHER" in a bold, white, sans-serif font, centered within a blue diamond shape. A registered trademark symbol (®) is located to the right of the diamond.

FEATHER®

Microtome blade

Microtome holder

Histology & Pathology

Autopsy blades and handle

Dissecting blades and handle

Replaceable blade scissors and blades

Trimming knife blades and handles

Safety trimming knife blades and handles

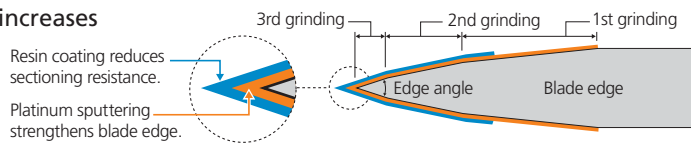
MADE IN JAPAN

FEATHER MICROTOME BLADE

Feather is the first company to develop disposable microtome blades in the world. In combination with our ultra-precision triple-sharpening technology and special edge coatings, our finest microtome blades offer the best cutting performance for sectioning of pathological specimen blocks.

			Package	Type of Microtome
		S35 Standard blade with superior sectioning quality from the beginning. For thin sectioning of paraffin embedded tissue blocks.	50 blades	Sliding / Rotary
		R35 Especially suited for Ribbon sectioning. Double Sputtering increases blade edge strength and durability. For thin sectioning of paraffin embedded tissue blocks.	50 blades	Sliding / Rotary
		A35 Durable blade for routine sectioning. For thin sectioning of paraffin embedded tissue blocks.	50 blades	Sliding / Rotary
		N35 Especially suited for hard tissues. For thin sectioning of paraffin embedded tissue blocks.	50 blades	Sliding / Rotary
		N35HR Especially recommended for research laboratories. For thin sectioning of paraffin embedded tissue blocks.	50 blades	Sliding / Rotary
		S22 For extra thin sectioning of paraffin embedded tissue blocks. Especially recommended for research laboratories.	50 blades	Sliding / Rotary
		A22 For extra thin sectioning of paraffin embedded tissue blocks. Especially suited for fibrous tissues and biopsies.	50 blades	Sliding / Rotary
		FHP-01 Especially suited for Ribbon sectioning. For thin sectioning of paraffin embedded tissue blocks.	50 blades	Sliding / Rotary
		FHP-02 Durable blade for routine sectioning. Metal surface hardening treatment offers superior blade life. For thin sectioning of paraffin embedded tissue blocks.	50 blades	Sliding / Rotary
		C35 Carbon steel blade for cryostat sectioning. Less curling of sections for easy operation. For thin sectioning of frozen tissue blocks.	20 blades	Cryostat
Large block		S35L 120mm long blade with superior sectioning quality from the beginning. For thin sectioning of large tissue blocks.	20 blades	Sliding
		S35LL 180mm long blade with superior sectioning quality from the beginning. For thin sectioning of extra-large tissue blocks.	20 blades	Sliding

Triple-sharpening increases blade durability.



Material	Thickness	Dimension L x W	Edge Finish		Soft tissue	Hard tissue	Thin sectioning	Ribbon sectioning	Cryostat
Stainless Steel	0.254 mm	80 x 8 mm Edge Angle 35°	Resin Coating Platinum sputtering		◎		○		○
Stainless Steel	0.254 mm	80 x 8 mm Edge Angle 35°	Resin Coating Platinum sputtering		○	◎		◎	
Stainless Steel	0.254 mm	80 x 8 mm Edge Angle 35°	Resin Coating Platinum sputtering		○	◎		○	○
Stainless Steel	0.254 mm	80 x 8 mm Edge Angle 35°	Resin Coating Platinum sputtering		○	◎		○	
Stainless Steel	0.254 mm	80 x 8 mm Edge Angle 35°	Resin Coating Platinum sputtering			◎		○	
Stainless Steel	0.254 mm	80 x 8 mm Edge Angle 22°	Resin Coating Platinum sputtering		◎		◎		
Stainless Steel	0.254 mm	80 x 8 mm Edge Angle 22°	Resin Coating Platinum sputtering		◎		◎	○	
Stainless Steel	0.31 mm	75.7 x 14 mm Edge Angle 35°	Resin Coating Platinum sputtering		◎	○		◎	○
Stainless Steel	0.31 mm	75.7 x 14 mm Edge Angle 35°	Resin Coating Platinum sputtering		○	◎		○	○
Carbon Steel	0.245 mm	80 x 8 mm Edge Angle 35°							◎
Stainless Steel	0.254 mm	120 x 8 mm Edge Angle 35°	Resin Coating Platinum sputtering		◎				
Stainless Steel	0.254 mm	180 x 8 mm Edge Angle 35°	Resin Coating Platinum sputtering		◎				

Actual size

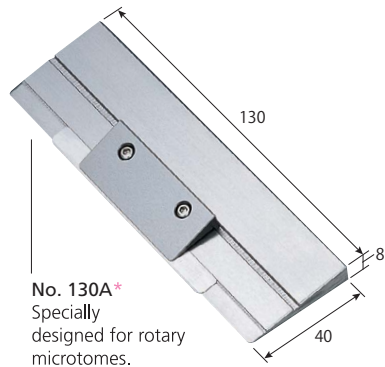
◎=BEST

○=GOOD

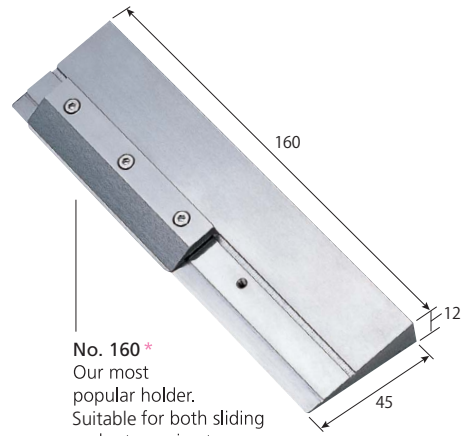
Standard type

Our Standard Microtome Holders have earned excellent reputation in universities, hospitals and laboratories globally for fine operational ease and performance.

Unit: mm



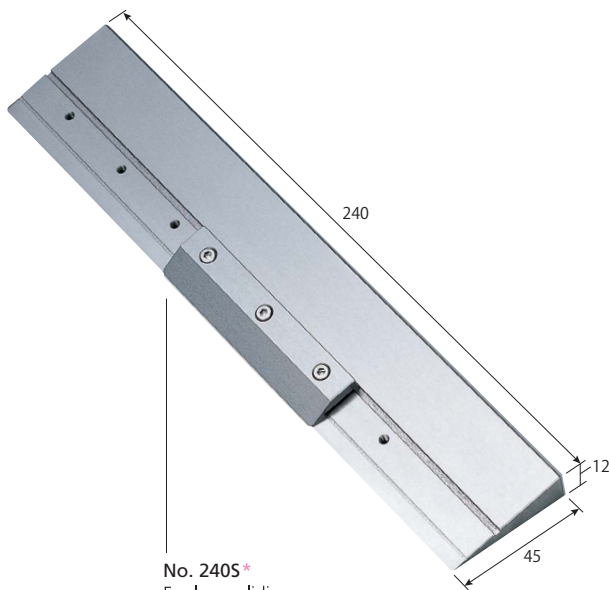
No. 130A*
Specially designed for rotary microtomes.



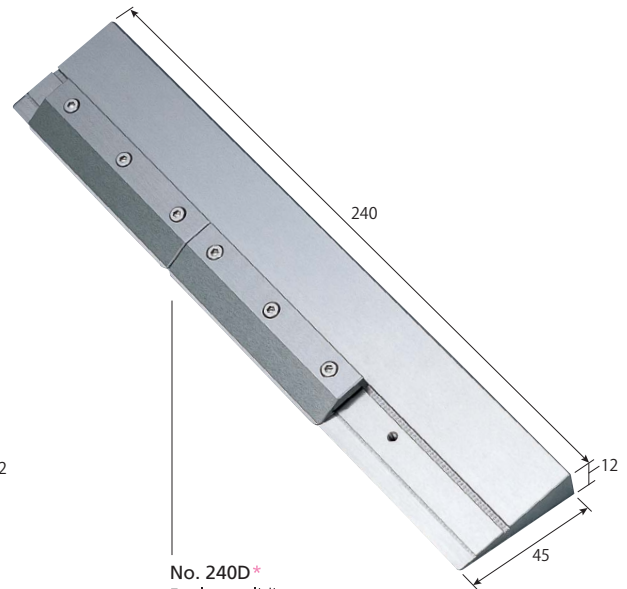
No. 160*
Our most popular holder. Suitable for both sliding and rotary microtomes.

Note: *Indicates models provided with Microtome blade S35

		No. 130A	No. 160
Body unit L x W x H (mm)		130 x 40 x 8	160 x 45 x 12
Blade fixing plate L x W x H (mm)		50 x 20 x 7,6	80 x 20 x 5,8
Weight (g)		184	375
Material	Body unit	SKD-11	SKD-11
	Hexagonal screws	Stainless steel	Stainless steel
Finish	Body unit	Ultra-precision ground finish	Ultra-precision ground finish
	Plastic box	1	1
Accessories	Hexagonal screwdriver	1	1
	Spare hexagonal screws	2	3
	Microtome blade S35	1	1



No. 240S*
For large sliding microtomes with one blade fixing plate.



No. 240D*
For large sliding microtomes. Both trimming and sectioning are possible with one holder.

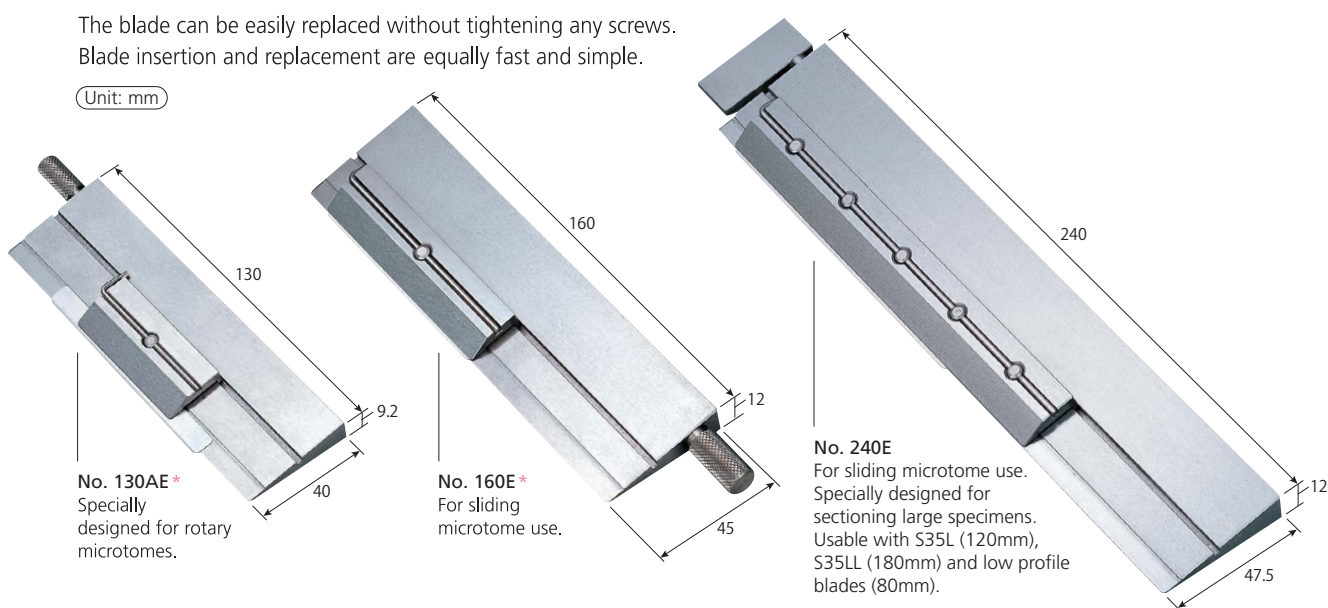
Note: *Indicates models provided with Microtome blade S35

		No. 240S	No. 240D
Body unit L x W x H (mm)		240 x 45 x 12	240 x 45 x 12
Blade fixing plate L x W x H (mm)		80 x 20 x 5,8	80 x 20 x 5,8
Weight (g)		545	586
Material	Body unit	SKD-11	SKD-11
	Hexagonal screws	Stainless steel	Stainless steel
Finish	Body unit	Ultra-precision ground finish	Ultra-precision ground finish
	Plastic box	1	1
Accessories	Hexagonal screwdriver	1	1
	Spare hexagonal screws	3	6
	Microtome Blade S35	1	1

One-touch type

The blade can be easily replaced without tightening any screws.
Blade insertion and replacement are equally fast and simple.

Unit: mm



No. 130AE*
Specially designed for rotary microtomes.

No. 160E*
For sliding microtome use.

No. 240E
For sliding microtome use.
Specially designed for sectioning large specimens.
Usable with S35L (120mm), S35LL (180mm) and low profile blades (80mm).

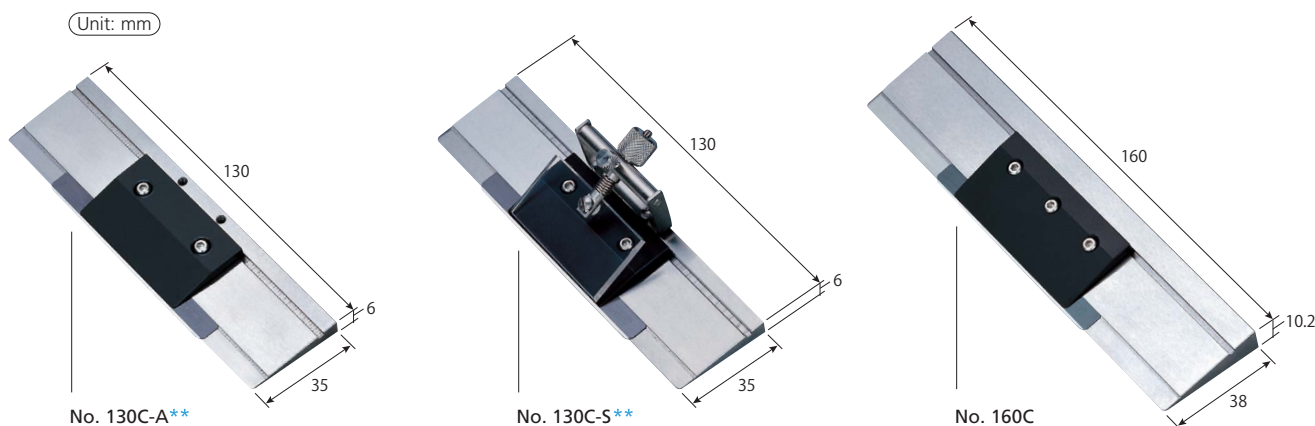
Note: *Indicates models provided with Microtome blade S35

		No. 130AE	No. 160E	No. 240E
Body unit L x W x H (mm)		130 x 40 x 9.2	160 x 45 x 12	240 x 47.5 x 12.0
Blade fixing plate L x W x H (mm)		50 x 22 x 6	80 x 20 x 7.2	160 x 22 x 7.5
Knob length x diameter W (mm)		20 x 8φ	22 x 10φ	38 x 17
Weight (g)		216	383	680
Material	Body unit	SKD-11	SKD-11	SKD-11
	Knob parts	Stainless steel	Stainless steel	Stainless steel
Finish	Body unit	Ultra-precision ground finish	Ultra-precision ground finish	Ultra-precision ground finish
	Plastic box	1	1	1
Accessories	Fixing plate bolt	1	1	1
	Spare spring	4	4	3
	L-shape wrench (for adjustment)			1
	Microtome blade S35	1	1	

For cryostat

These holders can be mounted on a variety of cryostat microtomes.

Unit: mm



No. 130C-A**
Our most popular model for cryo-sectioning.

No. 130C-S**
No. 130C-A model with Anti-Roll Device.

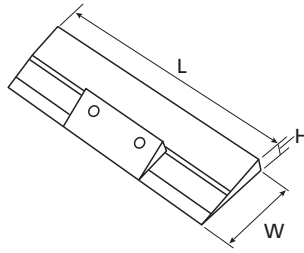
No. 160C
Our long model for cryo-sectioning.
Not compatible with Anti-Roll Device.

Note: **Indicates models provided with Microtome blade C35

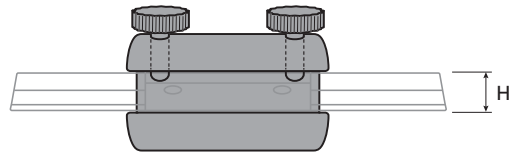
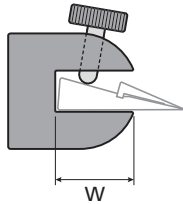
		No. 130C-A	No. 130C-S	No. 160C
Body unit L x W x H (mm)		130 x 35 x 6	130 x 35 x 6	160 x 38 x 10.2
Blade fixing plate L x W x H (mm)		50 x 29 x 4.8	50 x 29 x 4.8	60 x 29 x 4.8
Weight (g)		128	153	280
Material	Body unit	SKD-11	SKD-11	SKD-11
	Hexagonal screws	Stainless steel	Stainless steel	Stainless steel
Finish	Body unit	Ultra-precision ground finish	Ultra-precision ground finish	Ultra-precision ground finish
	Fixing plate	Teflon coat	Teflon coat	Teflon coat
Accessories	Plastic box	1	1	1
	Hexagonal screwdriver	1	1	1
	Spare hexagonal screws	2	2	3
	Microtome blade C35	1	1	

Instruction on finding a suitable microtome blade holder

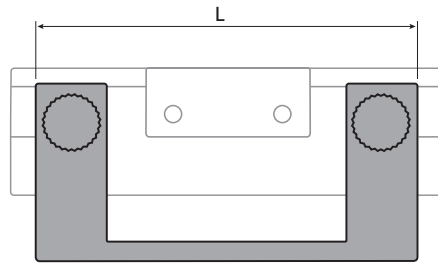
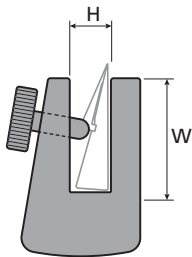
Please check the dimensions L x W x H of your knife clamp and Feather microtome blade holder as indicated.



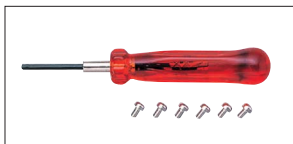
Sliding microtome



Rotary microtome / Cryostat microtome



Separately available parts and accessories



Screw Set A for
No. 160 / 240S / 240D
Screw Set B for
No. 130A

Includes:
Hexagonal Screws _____ 6
Hexagonal Screwdriver _____ 1

Screw Set
No. 130C-A / 130C-5 / 160C

Includes:
Hexagonal Screws _____ 6
Hexagonal Screwdriver _____ 1



Anti-Roll Device Set

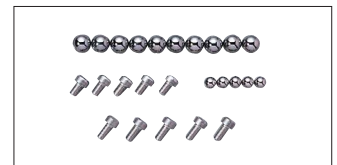
Includes:
Anti-Roll Device _____ 1
Fixing Screws _____ 2
Spare Plastic Plate _____ 1
L-Shape Wrench _____ 1



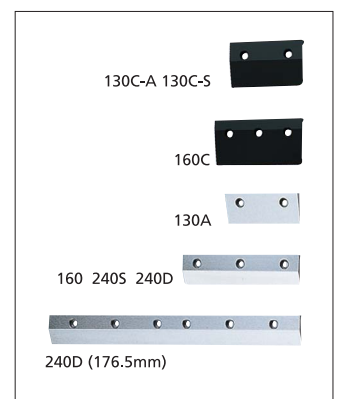
Anti-Roll Plastic Plates

Includes:
Anti-Roll Plastic Plates _____ 2

Other parts are also available.



Screws and Joint-balls

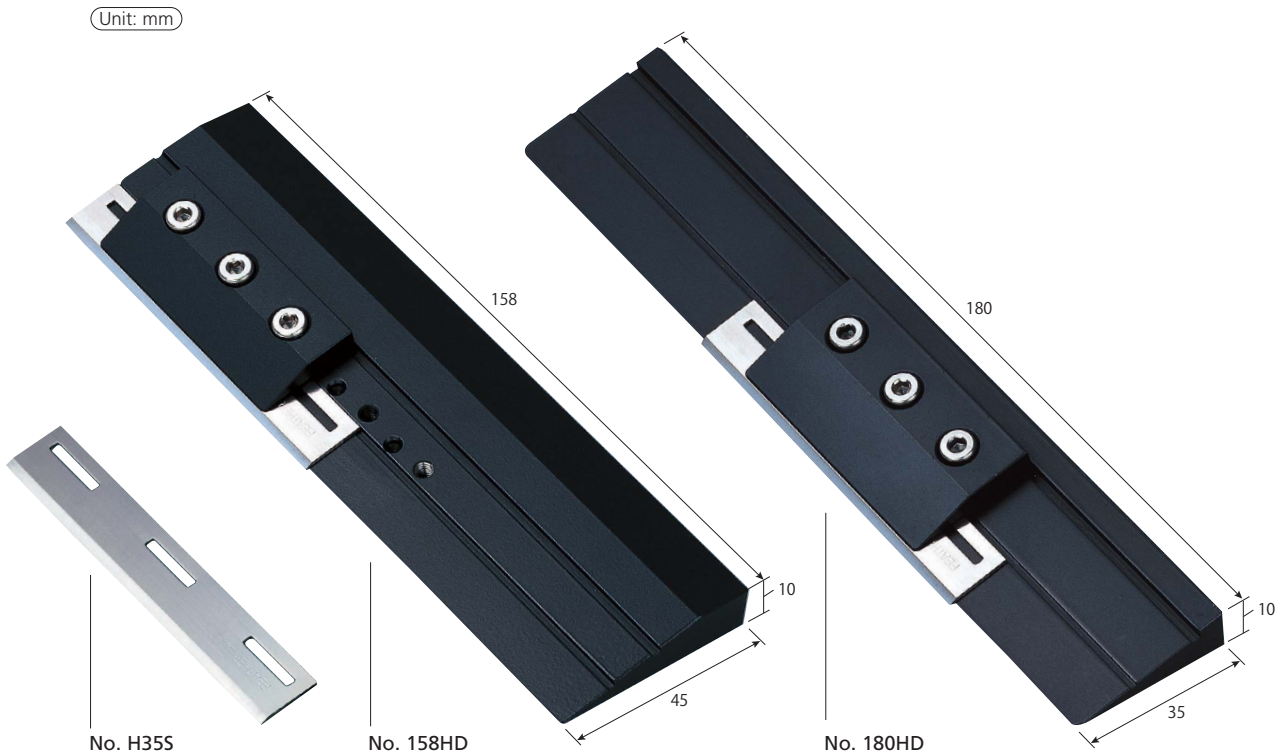


Fixing Plates

For resin block thin-sectioning (optical microscopy)

Plastic resin samples for light microscope studies have recently been used in addition to conventional paraffin samples within the medical/biological fields. The advantage of plastic embedding lies in its lower distortion and faithful preservation of tissue structure when compared to sections cut from paraffin blocks. Conventional sectioning of plastic blocks for microscopy uses a super hard, tungsten carbide knife or a Ralph knife. FEATHER H35S Disposable Microtome Blade and 158HD/180HD dedicated blade holders (for sectioning of resin blocks) are cost effective and efficient.

Premier FEATHER Microtome Blade technology has developed a durable, ultra-sharp edge capable of thin-sectioning in units of one micron, far superior in both sectioning ability and durability. Disposable blade design improves efficiency by eliminating blade edge grinding.



Specifications	Material	No. H35S
	Length (mm)	SKH-55
	Edge angle	80
	Thickness (mm)	35°
	Width (mm)	0.8
	Packaging	14
		10 Blades / Box

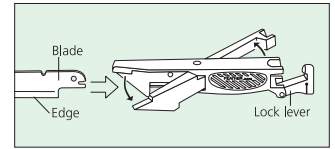
		No. 158HD	No. 180HD
Material		SKD-11	SKD-11
Length (mm)		158	180
Height (mm)		10	10
Width (mm)		45	35
Packaging		1 Holder / Pkg.	1 Holder / Pkg.
Adaptable sliding microtome	Sliding microtome / Rotary microtome (LBK Histo-range, Multi-range, etc.)		
Adaptable rotary microtome		(Reichert-Jung 2045, 2025, Microm 340, 350, Anglia AS500, etc.)	

Note:
The H35S is for sectioning blocks of Glycol Methacrylate (GMA), not suitable for Methyl Methacrylate (MMA).

FEATHER AUTOPSY BLADES and HANDLE

Main Features:

- *The handle is autoclavable and features excellent chemical resistance. It can be easily disassembled for cleaning.
- *Superior sharpness and cutting performance compared to conventional knives.
- *Handle F100 can be used for brain dissection and other purposes simply by exchanging the blade. (No. 100, 170 and 325)

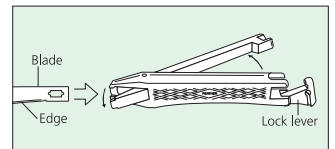


		Autopsy blade handle F100	Autopsy blade No. 100	Autopsy blade No. 170	Brain blade No. 325
Dimension	Overall (mm)	160 (L) x 18 (W)	222	292	450
	Blade (mm)	---	100	170	325
	Blade thickness	---	1.2	1.2	1.2
	Material	Special resin	Special stainless steel	Special stainless steel	Special stainless steel
	Packaging	1 pc. per box	5 blades per box	5 blades per box	5 blades per box

FEATHER DISSECTING BLADES and HANDLE

Main features:

- *A special heavy-duty blade was developed for this dissecting knife.
- *The extra-thick stainless steel blade provides high rigidity and extra-long life.
- *The autoclavable handle F60 is designed for easy blade replacement and cleaning.



		Dissecting blade handle F60	Dissecting blade No. 61, 62
Dimension	Overall (mm)	145	200
	Blade (mm)	---	77
	Blade thickness (mm)	---	0.6
	Material	Special resin	Special stainless steel
	Packaging	1 pc. per box	100 blades per box

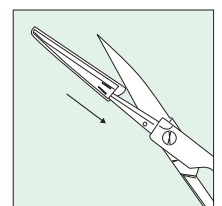
FEATHER REPLACEABLE BLADE SCISSORS and BLADES

Main Features:

- *The same handle can be used for 3 different blade types - sharp / sharp, sharp / blunt and blunt / blunt.
- *The revolutionary disposable blade design eliminates the cost and trouble of sharpening.
- *A special stainless steel is used for both blades and handle.



FEATHER BLADES FOR REPLACEABLE BLADE SCISSORS



		Scissor handle	Blade [sharp / sharp], [sharp / blunt], [blunt / blunt]
Dimension	Overall (mm)	132	145
	Blade (mm)	---	48
	Material	Stainless steel	Stainless steel
	Packaging	1 pair per box	5 pairs per box

FEATHER TRIMMING KNIFE BLADES and HANDLES

Main Features:

- *The handles are autoclavable. (except F-80mini & F-80HL)
- *An ideal trimming knife, with a sharp edge, for cutting tissue without causing deformation.
- *The securely-fitted blade can be easily attached and removed.

Exclusive for Feather Microtome Blades.

Also usable with High-Profile blade.

FEATHER TRIMMING KNIFE HANDLE F-80HL FEATHER TRIMMING KNIFE HANDLE F-80 mini FEATHER TRIMMING KNIFE HANDLE F-80P FEATHER TRIMMING BLADE No. 130 FEATHER TRIMMING KNIFE HANDLE F-130P FEATHER TRIMMING BLADE No. 260 FEATHER TRIMMING KNIFE HANDLE F-260P

	Handle F-80HL	Handle F-80 mini	Handle F-80P	Handle F-130P	Handle F-260P
Length (mm)	64.5	80	217	260	390
Material	Plastic	Plastic	Special resin	Special resin	Special resin
Packaging	5 pcs. per box	10 pcs. per box	1pc. per box	1pc. per box	1pc. per box

Dimension	Blade No. 130		Blade No. 260	
	Overall (mm)	275	405	260
Blade (mm)	130	260	130	260
Blade thickness (mm)	0.245	0.245	0.245	0.245
Material	Carbon steel	Carbon steel	Carbon steel	Carbon steel
Packaging	50 blades per box	50 blades per box	50 blades per box	50 blades per box

FEATHER SAFETY TRIMMING KNIFE BLADES and HANDLES

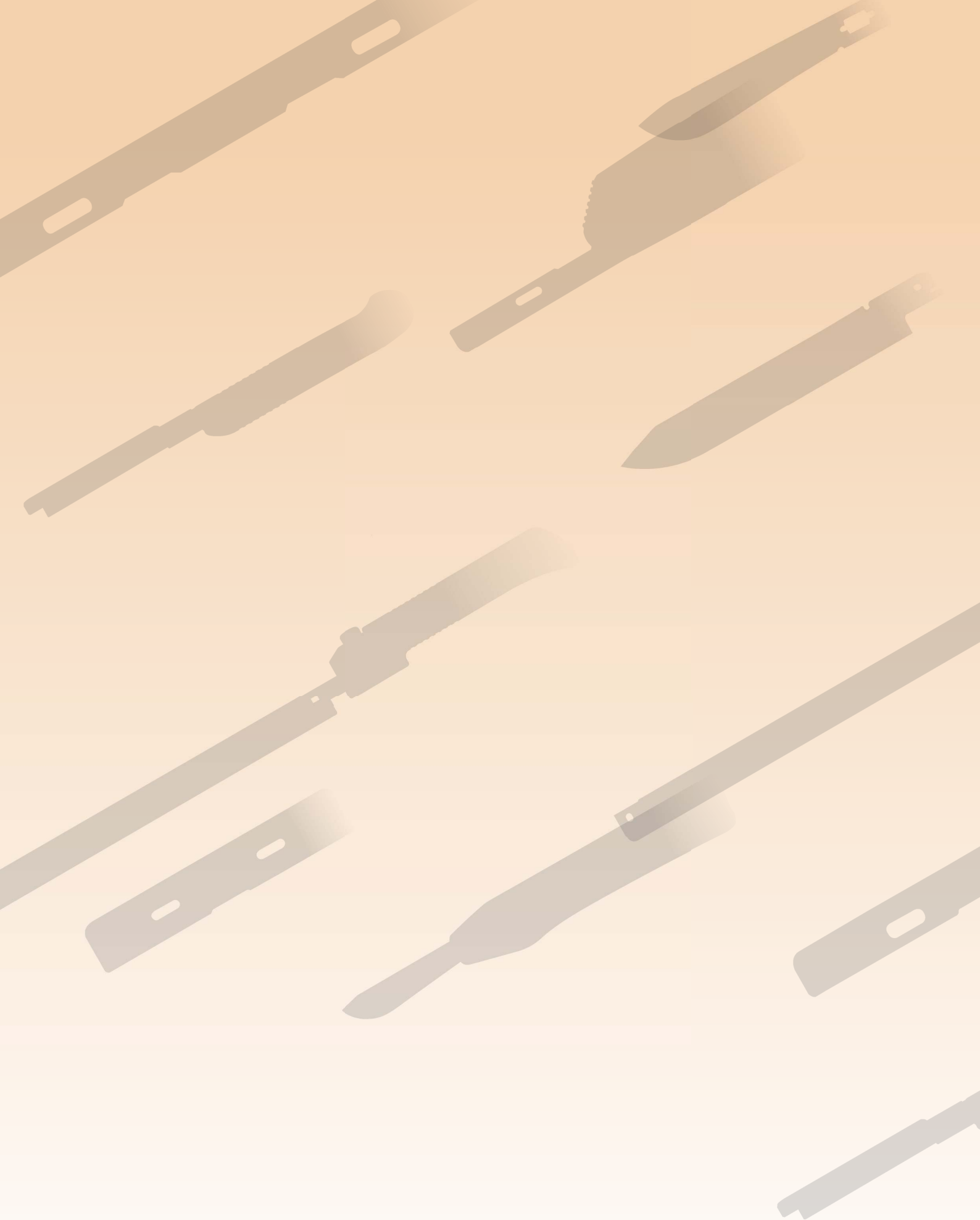
Main Features:

- *Blades with back metal can be attached/detached without directly touching the blades.
- *Plastic case covering the blades ensures a safe blade disposal.
- *Handle F-1326P is autoclavable.

FEATHER SAFETY TRIMMING KNIFE BLADE No. M130RC FEATHER SAFETY TRIMMING KNIFE BLADE No. M260RC FEATHER SAFETY TRIMMING KNIFE BLADE HANDLE F-1326P

		Blade No. M130RC	Blade No. M260RC
Length (mm)		290	420
Material		Carbon steel	Carbon steel
Packaging		10 blades per box	10 blades per box

Dimension	Blade No. M130RC		Blade No. M260RC	
	Overall (mm)	290	420	260
Blade (mm)	130	260	130	260
Blade thickness (mm)	0.245	0.245	0.245	0.245
Material	Carbon steel	Carbon steel	Carbon steel	Carbon steel
Packaging	10 blades per box	10 blades per box	10 blades per box	10 blades per box



FEATHER SAFETY RAZOR CO., LTD.
OVERSEAS TRADE DIVISION

3-70, OHYODO MINAMI 3-CHOME, KITA-KU, OSAKA 531-0075, JAPAN
PHONE: +81-6-6458-1638 FAX: +81-6-6458-1611
URL www.feather.co.jp/en/ E-mail overseas@feather.co.jp

